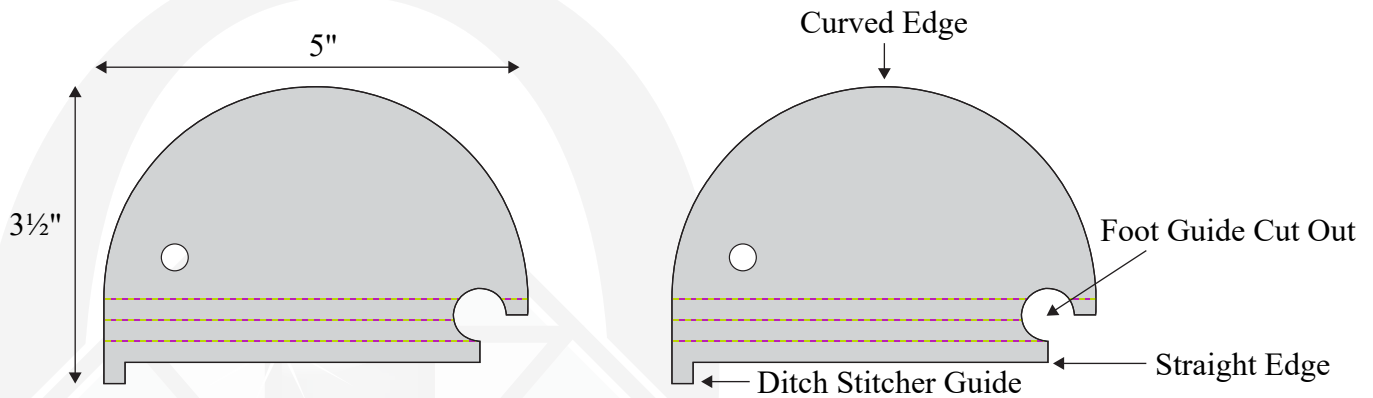




## Applique Guide Instructions

¼ " acrylic, laser cut, suitable for guiding a quilting machine.  
Available in 5" x 3½".

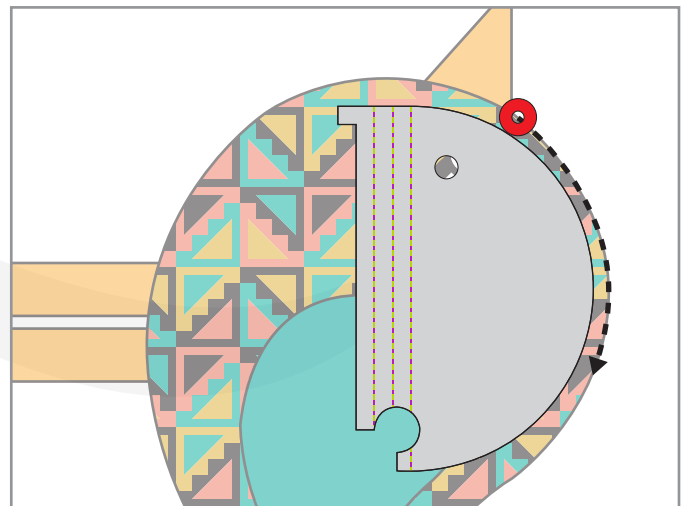
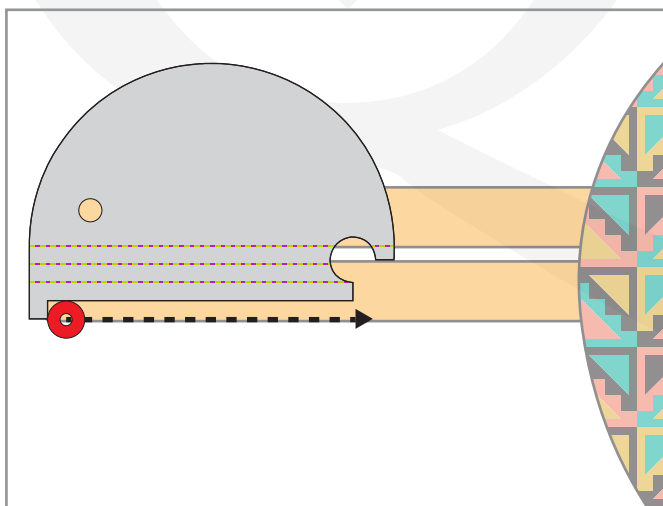


### How to use the Straight Edge

Use the straight edge of the tool when stitching straight areas of the applique.

### How to use the Curved Edge

Use the curved edge of the tool to aid in quilting around larger curves.

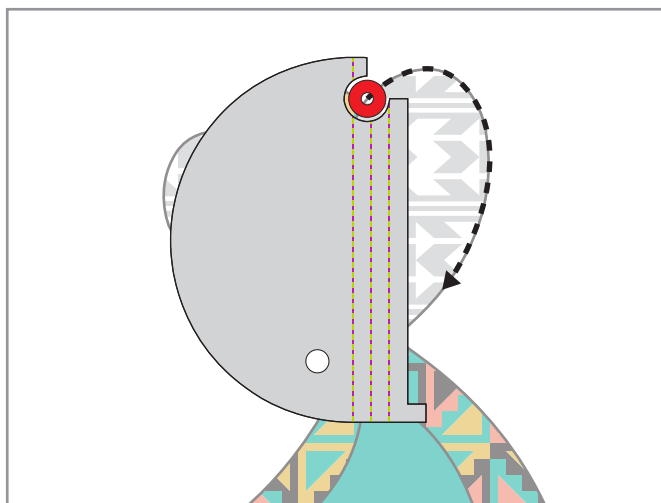


## **How to use the Foot Guide Cut Out**

Place the foot guide cut out around the foot of your machine.

Place your dominant hand on the handle of the machine and the other hand on the tool.

Placing pressure with the tool against the foot and the machine against the tool gives control when stitching around difficult shapes.



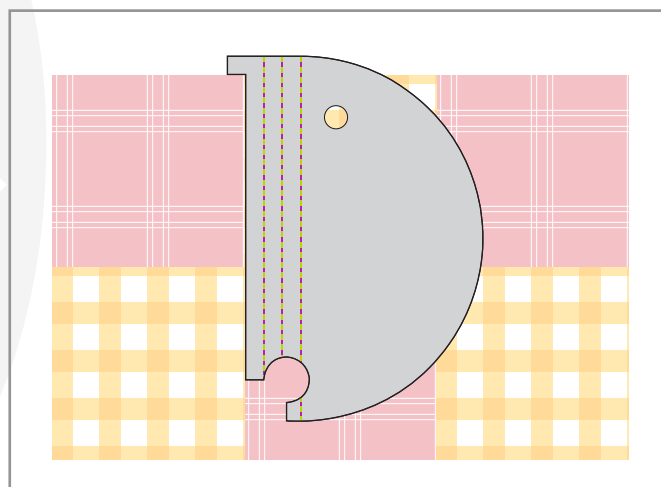
## **How to use the Straight Edge with the Ditch Stitcher Guide**

Use the straight edge and the ditch stitcher guide for accurate stitching in the ditch.

Place the edge of the ditch stitcher in the seam line of the ditch.

Stitch with your foot against the straight edge on the bottom of the tool to stitch accurately in the ditch.

Move the tool along with the ditch stitcher in the ditch and continue stitching.



## **How to Stitch Different Lengths Away from the Seam**

Using the 3 lines  $\frac{1}{4}$ " apart on the straight edge of the tool, stitch away from the seam. Align the edge of the tool with the seam and stitch against the straight edge of the tool with the foot of your machine. The width of the foot will stitch  $\frac{1}{4}$ " away from the edge of the tool.

Align the first line from the edge of the tool with the seam, your machine will stitch  $\frac{1}{2}$ " away from the seam.

Align the second line with the seam, your machine will stitch  $\frac{3}{4}$ " away from the seam.

Align the third line with the seam, your machine will stitch 1" away from the seam.

